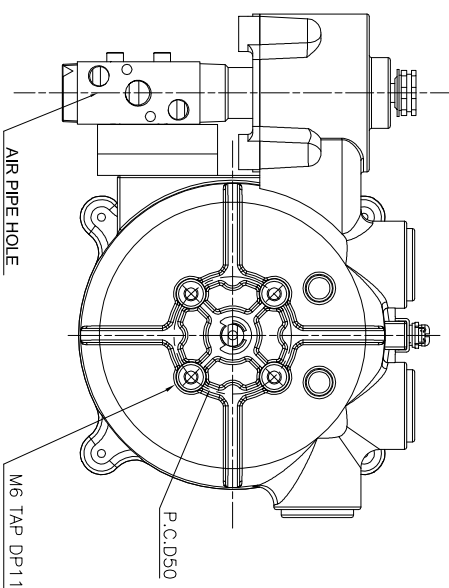
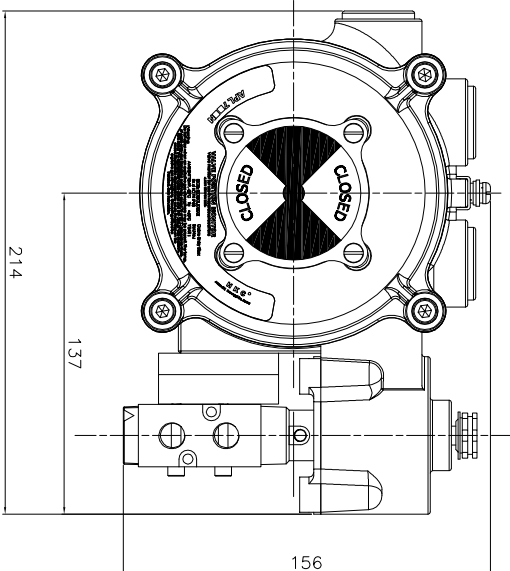
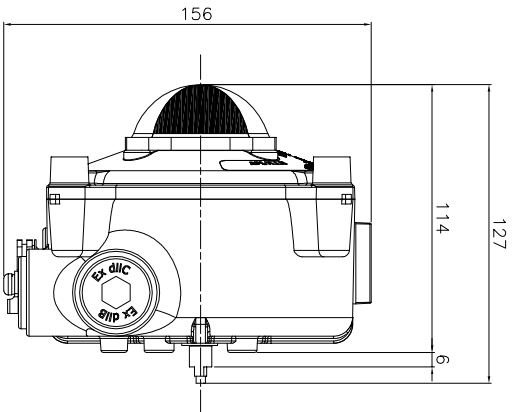
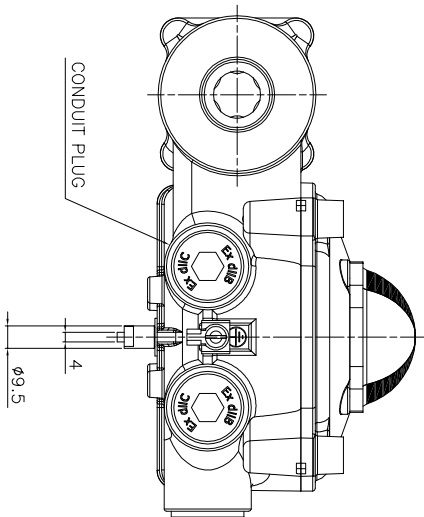


APL-7N STATUS

- Enclosure : Weatherproof IP67, IP68
Explosionproof : EX d IIC T6
- Cable entries : 3 x 3/4 NPT(Standard)
M20, M25, PF3/4, PT3/4 (Option)

SOLENOID VALVE STATUS

- SF4101-1P Solenoid Valve
- Working Pressure : 1.5 ~ 10 bar
- Temperature Range : 5 ~ 60 °C
- Voltage : AC110V, 220V, DC24V
- Air Pipe Sizing : G1/8, G3/8, G1/6, G1/2



SWITCH TYPE		NAMUR STANDARD	
Mechanical Switch	Proximity Sensor	Reed Type Proximity Sensor	
10 2-SPDT	20 P&F NL2-V3-N	30 General Type	MBP-100 : 30 x 80 H20
11 3-SPDT	21 Autonicas: PS17-5DNU		MBP-200 : 30 x 80 H30
12 4-SPDT	22 P&F NL4-12GM-N		MBP-300 : 30 x 130 H20
13 2-SPST	23 NBB2-V3		MBP-400 : 30 x 130 H50
14 2-DPTP			
15 2-SPDT + Potentiometer			
16 2-SPDT + Signal unit (4~20mA)			

CLASS. VAR.	1ST G/2ND G/3RD G	UNLESS OTHERWISE SPECIFIED	MATERIAL	PROJ.	SCALE	CHANGES	DATE	ISSU. DEPT.	HANDR.	PART NAME	DATE	ISSN. APPRO. REV. D
0.5 - 6	0.2	0.1	AL	APR. S.M.HAN	1:1			HADR	APL-7N	ASSEMBLY		
50 - 120	0.15	0.3	HEAT TREAT									
120 - 215	0.2	0.5										
215 - 315	0.3	0.8										
315 - 415	0.5	1.2										
415 - 515	0.8	2.0										
515 - 615	1.2	3.0										
1000 - 2000	0.5											
GENERAL TOL.			SURF. TREAT.	APPR. S.M.HAN								
ANG. TOL.			GEN. CH.									

1 OF 1 SHEET	DMG. SIZE	A3
--------------	-----------	----