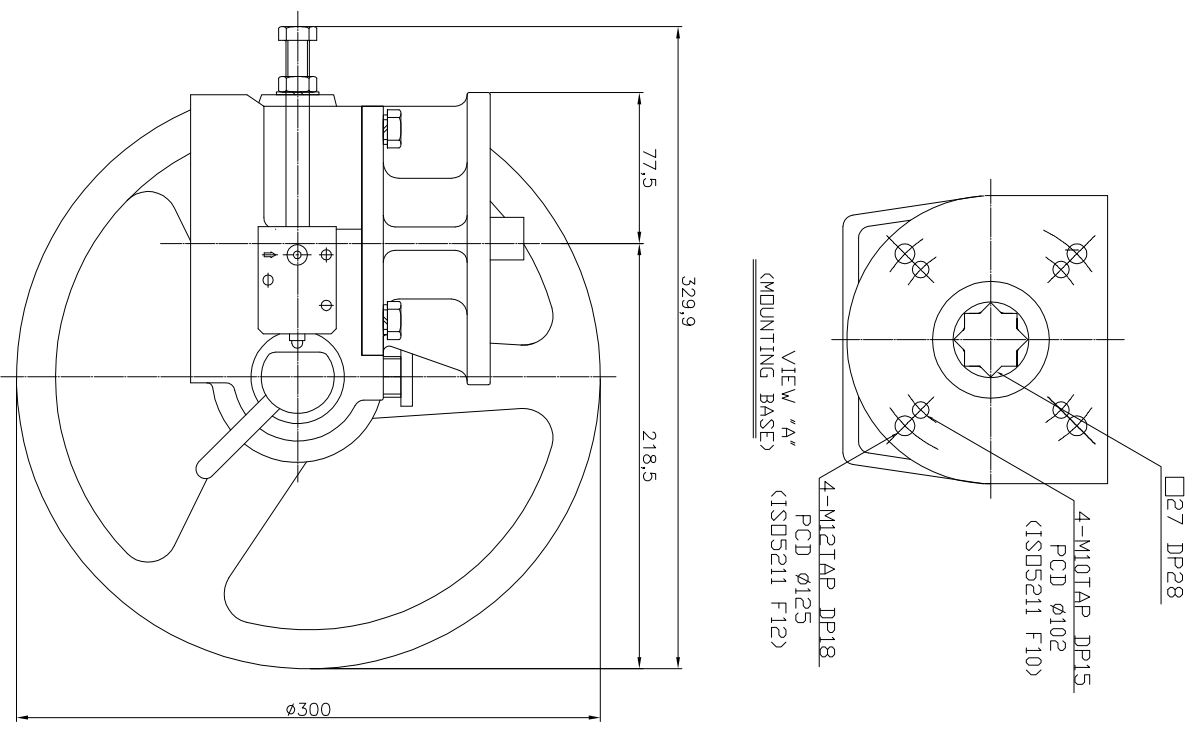
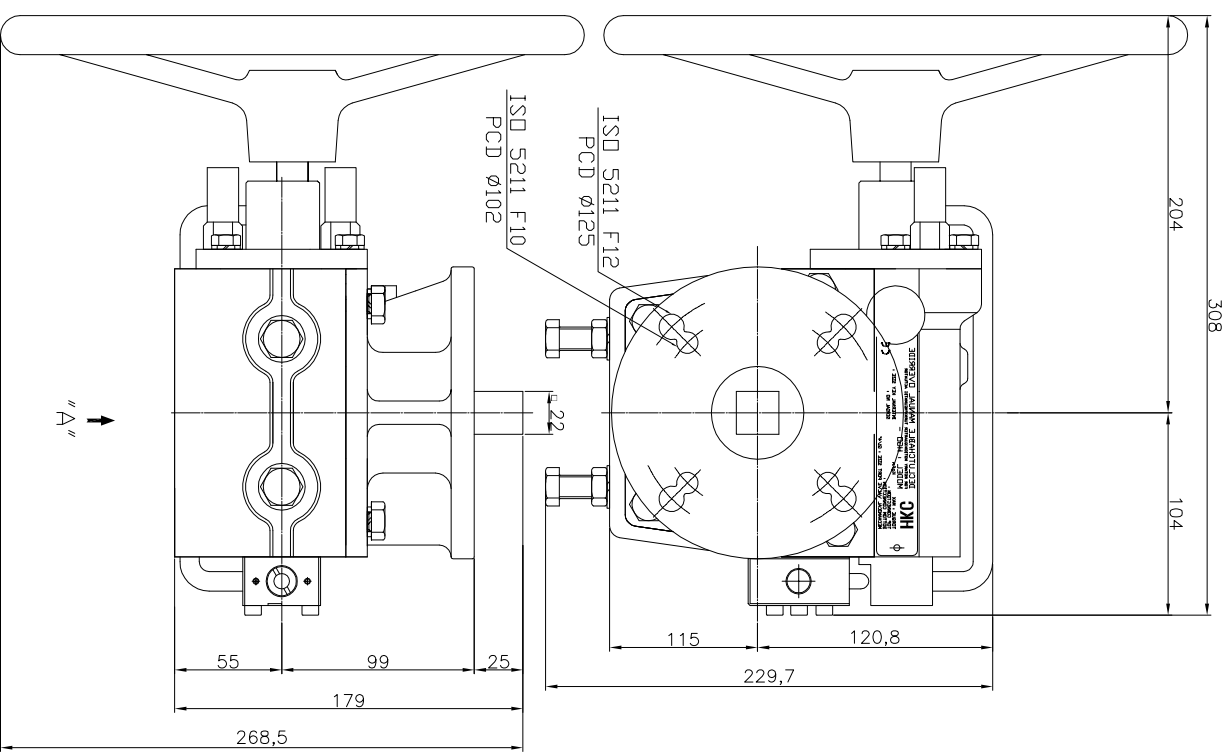


NO	PART NAME	MATERIAL	QTY	REMARK
1				



MATERIAL		PROJ.		CHANGES		DATE		SIGN		APPR.	
ALT. MAT.		PROJ. NO.		SYN. ECN. NO.		DATE		SIGN		APPR.	
HEAT TREAT.		DRAW. K.J. JUNG		SCALE 1/1		ISSU. DEPT. HADR		PART NAME			
		DESIGN P.S. KIM		DIM. mm		DATE 2007.10.05		DWG. NO. G080-501-B			
SUPP. TRET.		CHECK						1 OF 1 SHEET			
		APPR.						DWG. SIZE			

HKC
HKC CO., LTD.