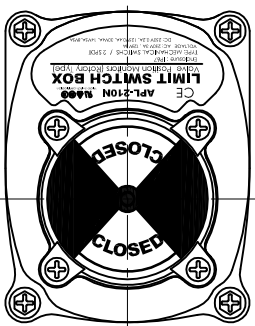
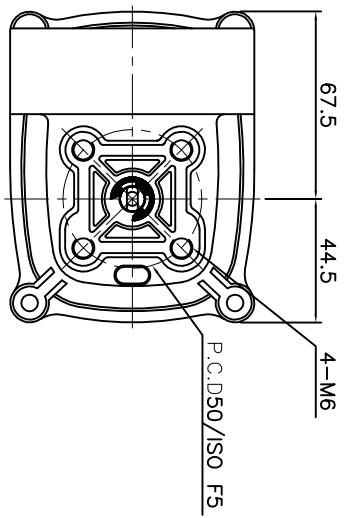
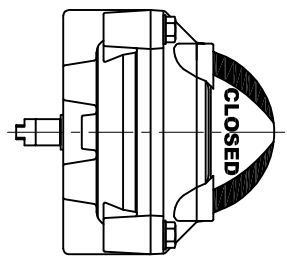
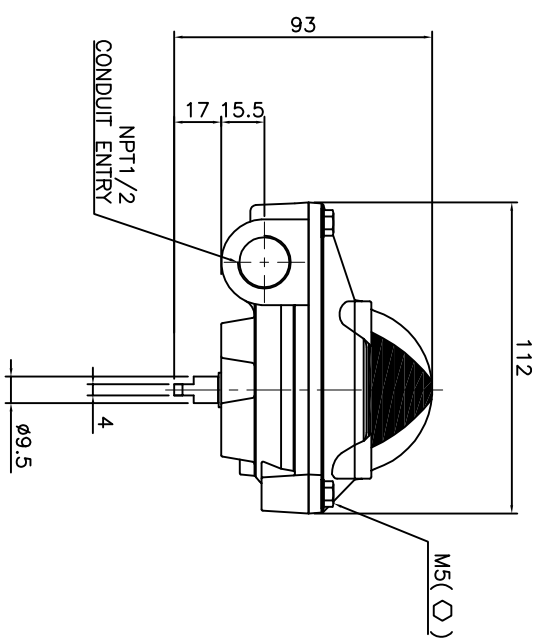
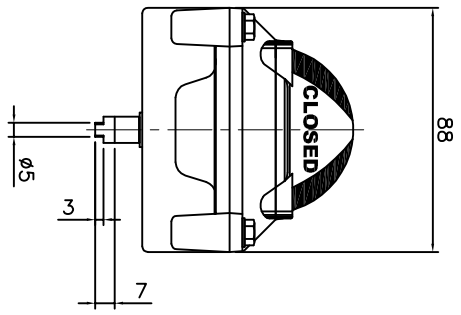


NO	PART NAME	MATERIAL	QTY	REMARK
1				



Enclosure : IP67
 TYPE : MECHANICAL SWITCHS / 2 SPDT
 VOLTAGE AC: 250V 3A , 125V 5A
 DC: 250V 0.2A, 125V0.4A, 30V4A, 14V5A, 8V5A



UNLESS OTHERWISE SPECIFIED		MATERIAL		PROJ.		SYM		ECON NO		CHANGES		DATE		SIGN		APPR.		
CLASS	GR.	1ST	2ND	GR.	1ST	2ND	GR.	1ST	2ND	GR.	1ST	2ND	GR.	1ST	2ND	GR.	1ST	2ND
0.5 - 6	0.05	0.1	0.2	0.2	0.2	0.2	0.2	0.2	0.2	0.2	0.2	0.2	0.2	0.2	0.2	0.2	0.2	0.2
6 - 30	0.1	0.2	0.3	0.3	0.3	0.3	0.3	0.3	0.3	0.3	0.3	0.3	0.3	0.3	0.3	0.3	0.3	0.3
30 - 120	0.15	0.3	0.4	0.4	0.4	0.4	0.4	0.4	0.4	0.4	0.4	0.4	0.4	0.4	0.4	0.4	0.4	0.4
120 - 315	0.2	0.4	0.5	0.5	0.5	0.5	0.5	0.5	0.5	0.5	0.5	0.5	0.5	0.5	0.5	0.5	0.5	0.5
315 - 1000	0.3	0.5	0.8	0.8	0.8	0.8	0.8	0.8	0.8	0.8	0.8	0.8	0.8	0.8	0.8	0.8	0.8	0.8
1000 - 2000	0.5	1.2	2.0	2.0	2.0	2.0	2.0	2.0	2.0	2.0	2.0	2.0	2.0	2.0	2.0	2.0	2.0	2.0

ANG. TOL.	GEN. CH.	SURF. TRET.	APPR.	HK	CONTRONATIC CO., LTD.	DWG. NO	1 OF 1 SHEET	DWG. SIZE
						A-105-012B10-501-A		A2