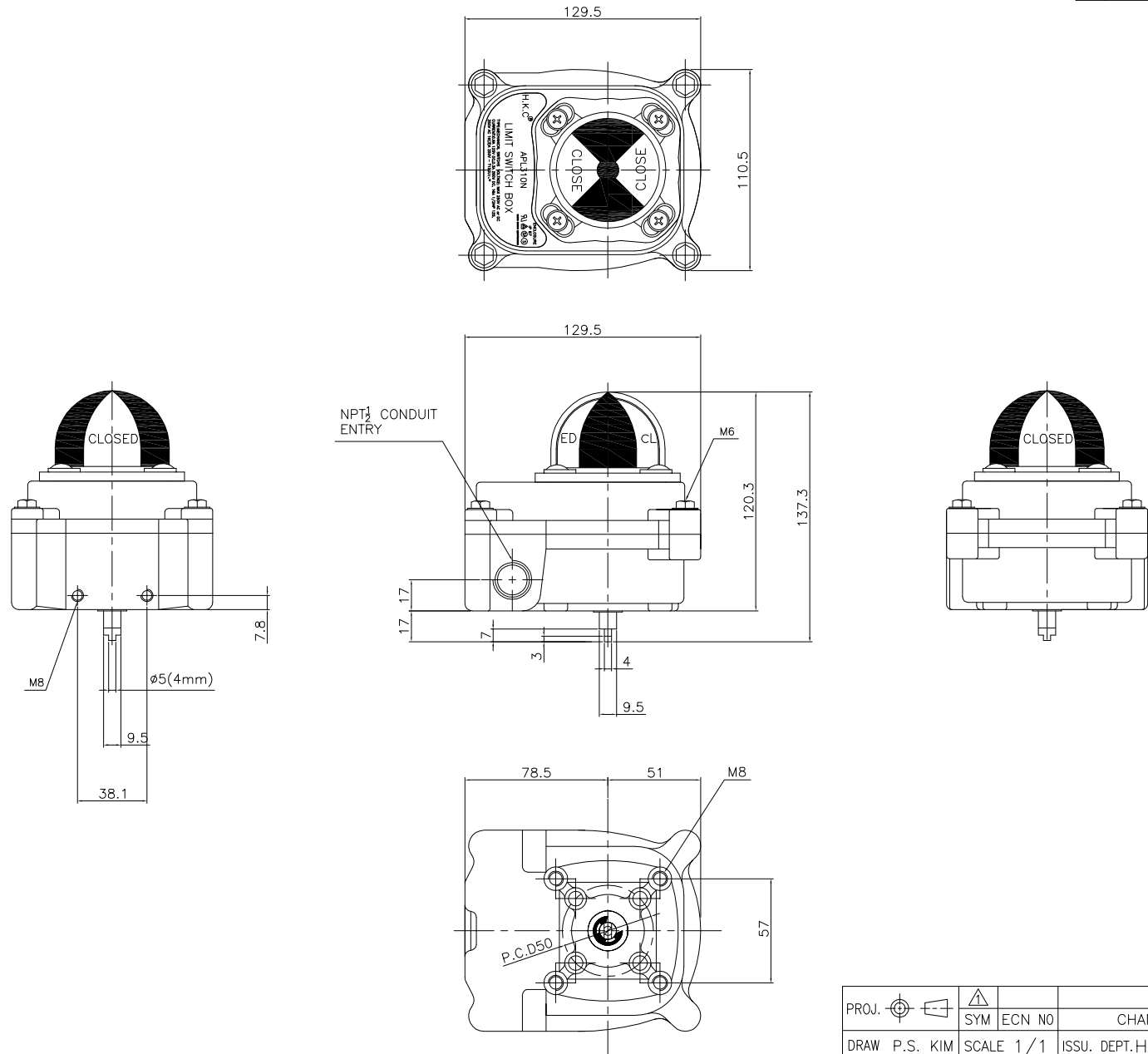


NO	PART NAME	MATERIAL	Q'TY	REMARK
1				



PROJ.	SYM	ECN NO	CHANGES	DATE	SIGN	APPR.
DRAW	P.S. KIM	SCALE 1/1	ISSU. DEPT.HADR	PART NAME APL310 LAYOUT		
DESIGNS.	M. HAN	DIM. mm	DATE 2008.09.15	DWG. NO LB310-501-B		
CHECK	 HK CONTRONATIC CO., LTD.			1 OF 1 SHEET		DWG. SIZE A2
APPR.						