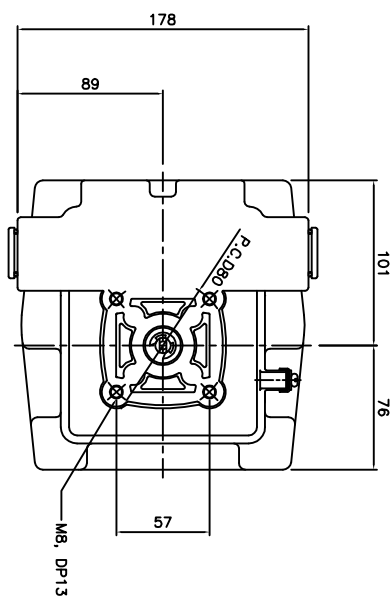
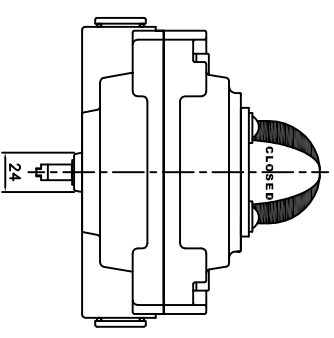
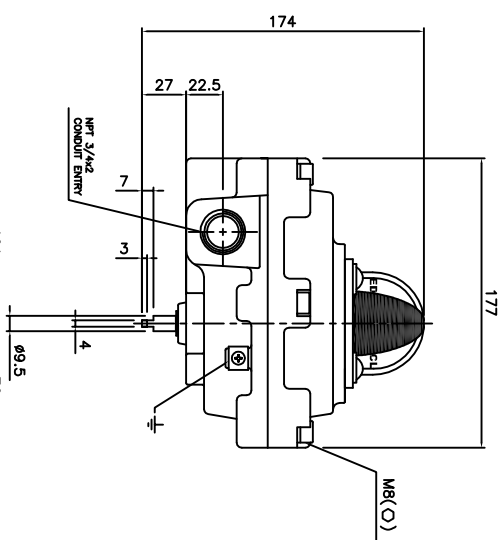
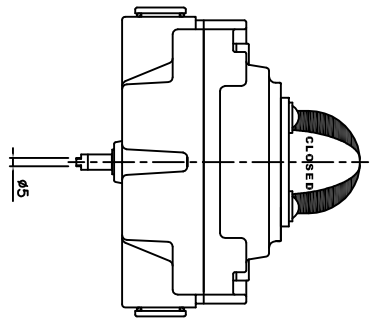
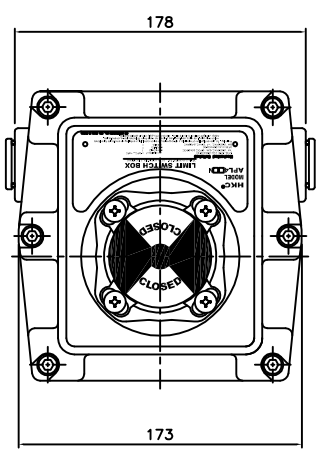


NO.	PART NAME	MATERIAL	QTY	REMARK
1				



ENCLOSURE : IEX d B T6
RATING IP 67

PROJ.	SYM	EDN NO	CHANGES	DATE	SIGN	APPR	REV
DRW	J.H.	AN	SCALE 1/1	ISSU. DEPT. HADR			
DESIGN				DATE 2017.07.28			
CHECK							
APPR.							

HKC	DWG. NO.LB410-501-A
HK CONTROMATIC CO., LTD.	1 OF 1 SHEET
	DWG. SIZE A0