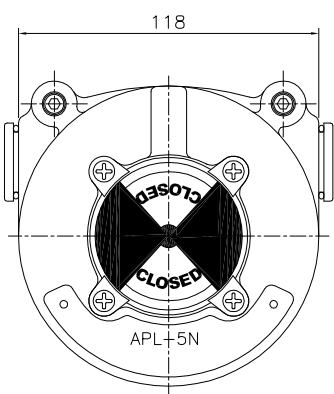
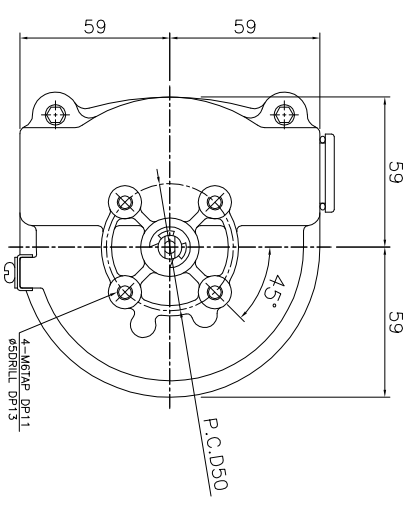
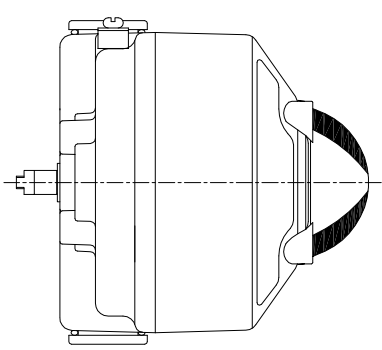
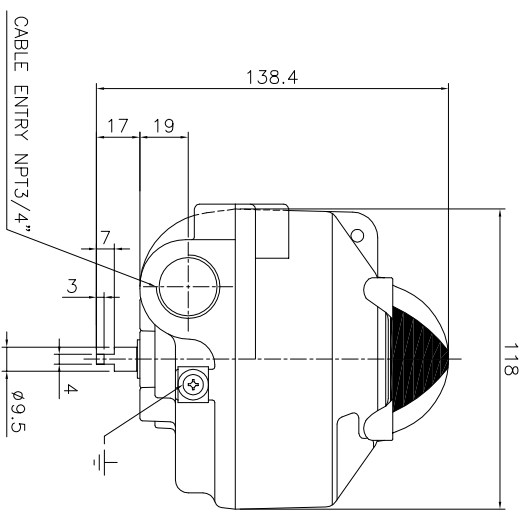
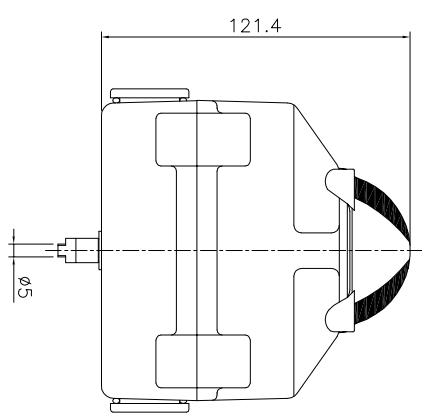


NO	PART NAME	MATERIAL	QTY	REMARK
1				



*NOTE
 ENCLOSURE : EXPLOSIONPROOF
 EEEXd IIC T6 EN50014/50018
 RATING: IP 67 OPTION / IP68



PROJ.	SYM	ECN NO	CHANGES	DATE	SIGN	APPR.
DRAW S.U.SONG	SCALE 1/1	ISSU. DEPT. HADR	PART NAME APL510 LAYOUT			
DESIGN S.M.HAN	DIM. mm	DATE 2006.01.18				
CHECK						
APPR.						

HKC
 HK CONTRONATIC CO., LTD.
 DWG. NO BL510-501-A
 1 OF 1 SHEET DWG. SIZE A2